

CE

Profiled Ring Valve

For your process gas applications


HOERBIGER

Quality proven in thousands of applications

The CE valve has been HOERBIGER's most popular ring valve for years. Positive experiences from a wide variety of uses attest to the performance of the CE valve in a broad field of applications. Thanks to its outstanding efficiency, the valve is suitable not only for hydrogen but also for heavy gases such as CO₂, carbon monoxide and ethylene.

The HOERBIGER CE valve is optimally suited for applications in the chemical and process industries, in refineries, and in the energy sector. Successful experience from a large number of field installations proves the performance of the CE valve in a wide range of applications. The valve offers reliability and efficiency even under difficult conditions.

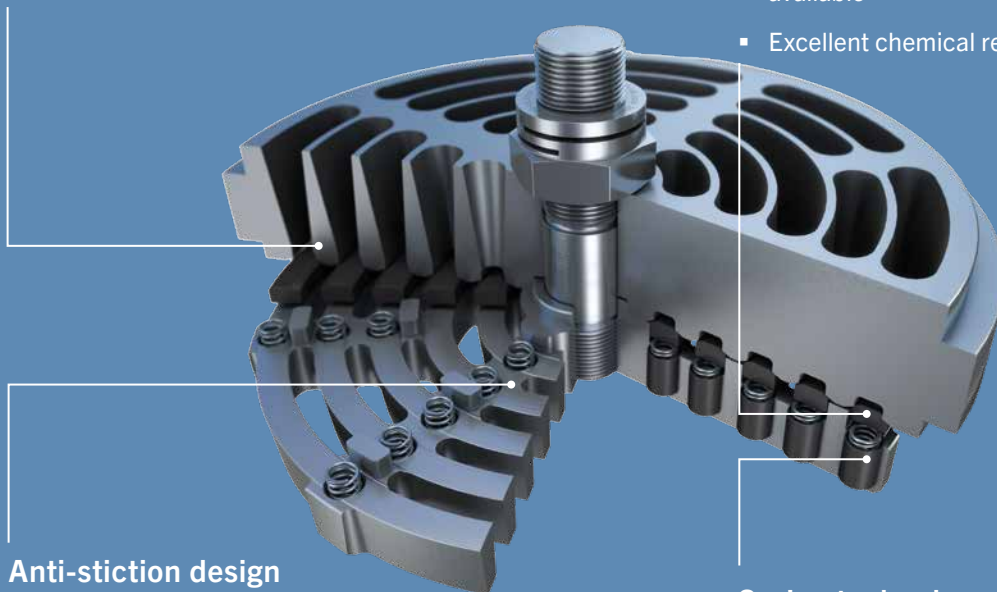
The long service life and high reliability of CE valves are the result of profiled ring / tapered seat arrangement, impact-resistant valve rings, unique anti-stiction design and the high performance spring technology. This extends maintenance intervals, reduces the risk of premature wear and the associated downtime, and lowers energy consumption.

Profiled valve ring / seat

- Streamlined flow path optimizes the effective flow area
- High number of flow channels thanks to fine-meshed design
- Minimizes power consumption
- Aerodynamic flow path reduces build up of particles and provides higher tolerance of liquids

Impact-resistant valve ring

- Carbon fiber re-inforced PEEK
- Narrow ring width decreases material stresses
- Fully guided rings for use in vertical compressor cylinders
- Profile on rings reduces adhesion forces and dynamic spring load
- 8 and 10mm heavy duty rings optionally available
- Excellent chemical resistance



Anti-stiction design

- Convex profiled guard and tapered seat
- Reduces adhesion forces due to liquids
- Avoids delays in valve opening and closing
- Tolerance against over-lubrication or liquid carry over

Spring technology

- Heavy duty ESR wire springs
- Design reduces coil to coil contact
- Spring savers prevent coil to guard contact

CE valves ensure highest reliability

The CE valve is highly durable, robust and efficient and provides a proven industry solution that covers a wide range of applications.

Your benefits at a glance

Features	Advantages	Benefits
Profiled ring design	Above industry standard in efficiency: 20 - 40% higher effective flow area than conventional plate or poppet valve.	Long life and high compressor uptime
High number of flow channels		
Spring savers prevent coil to guard contact	Tribological optimization	
Carbon fibre reinforced PEEK rings	High flexural strength and impact resistance	
Aerodynamic flow path	Reduces build up of particles and provides tolerance of liquids	
Fully guided rings	Suitable for vertical compressors	
8 and 10mm heavy duty rings	Designed for high dynamic loads (optionally available)	Superior reliability
Anti-stiction design: Convex profiled guard and tapered seat	Reduces adhesion forces due to liquids Avoids delays in valve opening and closing Tolerance against over-lubrication or liquid carry over	
Heavy duty springs made of ESR steel (Electro slag remelting)	Designed for high dynamic loads	
The most efficient ring valve.	Replace wear parts less frequently	Reduce OPEX
Tribological optimization.	Reduce main motor energy costs	

Need an appointment? Fill in the form or contact your sales representative.

First name *

Last name *

Email *

Company *

Country *

Message

* GDPR Agreement

I consent to the transfer of this contact form and the storage of my personal information so that HOERBIGER can respond to my request.

See our [privacy policy](#) to learn more about how we use data.

SUBMIT

Send the form or your questions to: c-globalmarketing@hoerbiger.com



Scan for technical data
and more information!

HOERBIGER is active throughout the world in the energy sector, the process industry, the automotive industry, the mechanical engineering sector, in safety engineering, and in the electrical industry. In 2021, its 5,862 employees achieved sales of 1.119 billion euros in 131 locations across 46 countries. Our products and services are used in reciprocating compressors, gas flow control units, vehicle drives, rotating unions, explosion protection, gas-powered engines, and in automobile hydraulics.

[HOERBIGER.COM](https://www.hoerbiger.com)

All rights reserved. Subject to change without notice © Copyright HOERBIGER 2023


HOERBIGER