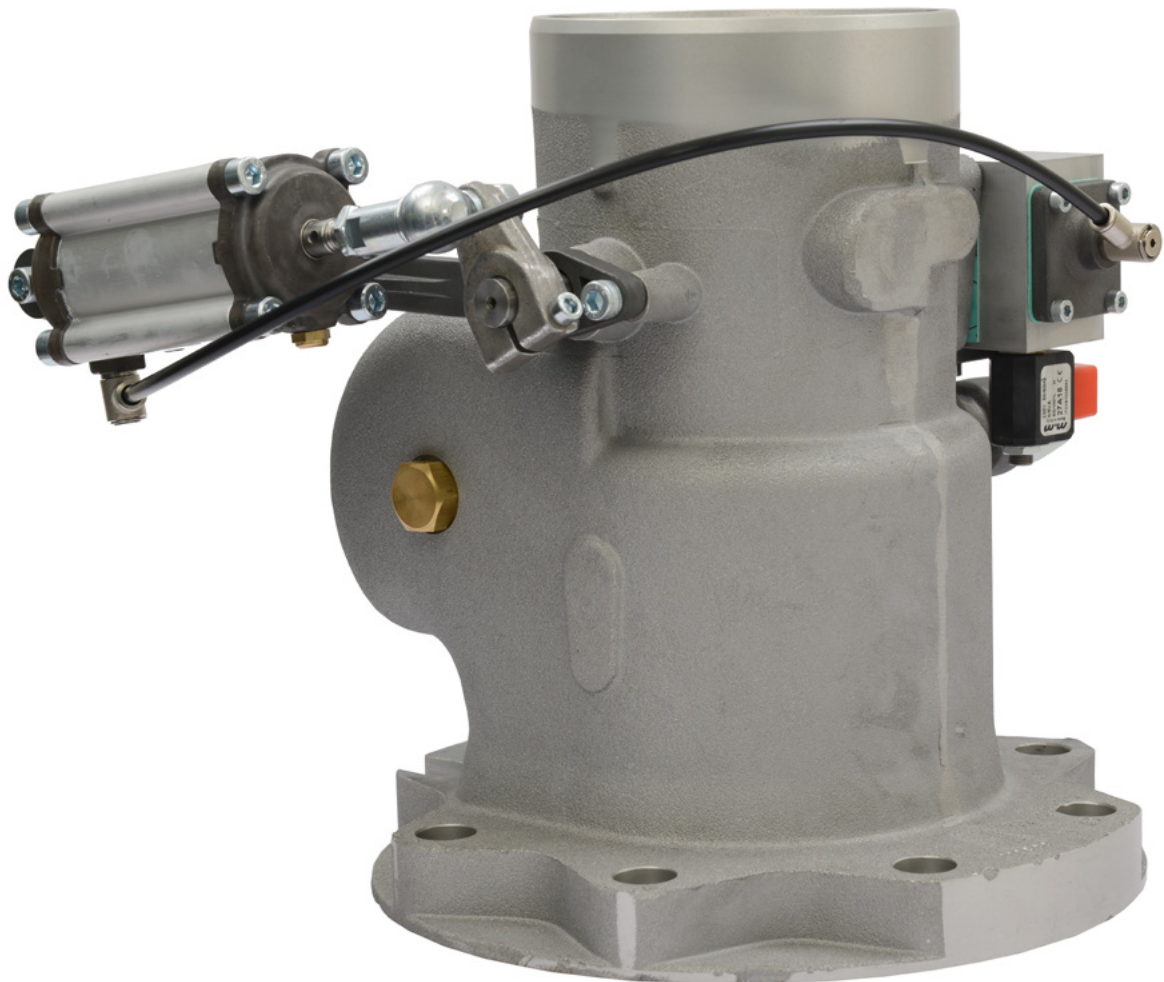


Suction Control Check Valve

Type: HAK / HDK / HPK / HK
50 / 65 / 85 / 120 / 140 / 160 / 200

Technical Data Sheet



Application

For oil- & water-injected screw compressors, which can be pressurized with full discharge pressure at shut-down.

Function

Control intake flow with integrated check valve function.

Installation

At inlet line between air filter and the suction flange of the air end.

Maintenance

For maintenance follow the recommendation and instruction of the compressor manufacturer.

Operation

Straight throughflow valve with butterfly type control disc and swing type non-return valve for two point or stepless capacity control.

Operation of the butterfly type control disc:

Butterfly disc actuated by servo cylinder. Regulation mode on/off or step-less.

Operation of the swing type non-return valve:

The suction line is closed quickly, automatically and independent of any other components when air flow stops.

Options:

Valves available as normally closed or normally open version. Although pure non return function possible.

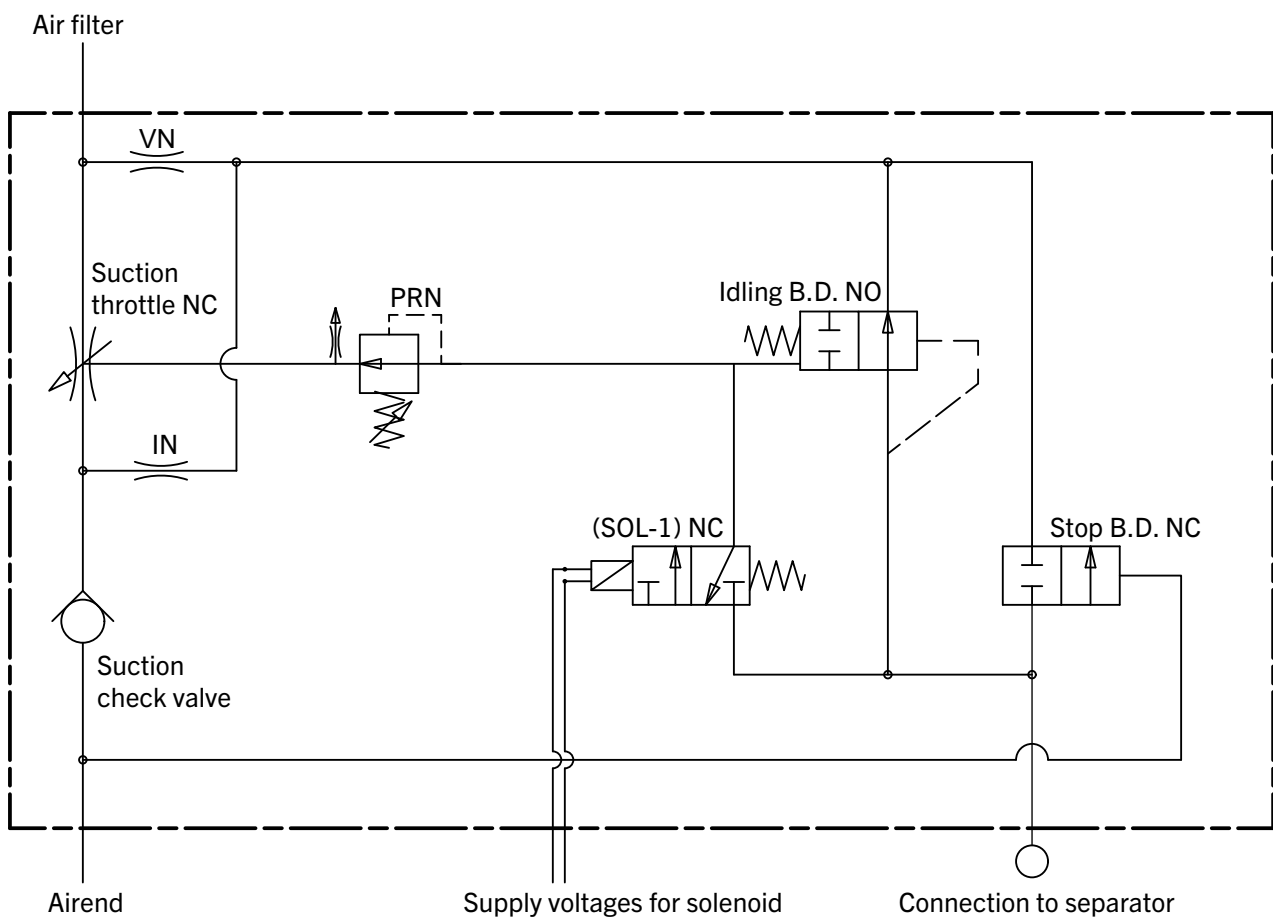
Optional add-on valves for regulation circle:

- Proportional controller
- Venting valve (VVF incl. solenoid)



Attention! Never attempt to disassemble a valve whilst under pressure!

Schematic for suction control valve (stepless regulation)



Technical details

Nominal diameter	mm	50	65	85	120	140	160	200
Type		H_G for start-up with suction control valve closed H_O for start-up with suction control valve open						
Max. working pressure	barg psig	16 232						
Temperature range	°C °F	-20 to +120 -4 to +248						
Kv value ¹⁾	m ³ /h	64	128	210	440	676	740	940
Volume air flow		Pressure drop at fully opened control valve and proposed range of application, see diagram						
Idling bypass		In coordination with compressor manufacturer						
Dimensions		Refer to component drawing						
Connections		Refer to component drawing for flange dimensions. Additional ports above and/or below non return valve on request						
Installation		Intake flange of air end in horizontal direction (+/- 30 degree)						
Servocylinder		Springs for different signal levels available						
Control signal pneumatic	barg psig	Max. 13 Max. 190						
Control signal electric		24, 110, 120, 230, 240 VAC 12, 24, 72-74 VDC						
Medium		Oily pressurized air, filtered. Recommended compressed air quality according to DIN ISO 8573-1, class 5. Compressor oil compatible with HOERBIGER reference oil list.						
Materials		Aluminum alloy, steel (stainless), brass, FKM, PTFE						
Weight	kg	3.5	4	6	13	15	30	37

1) The Kv value represents the volume of water at 5 to 30°C flowing through the valve at a differential pressure of 1 bar.

Main dimensions

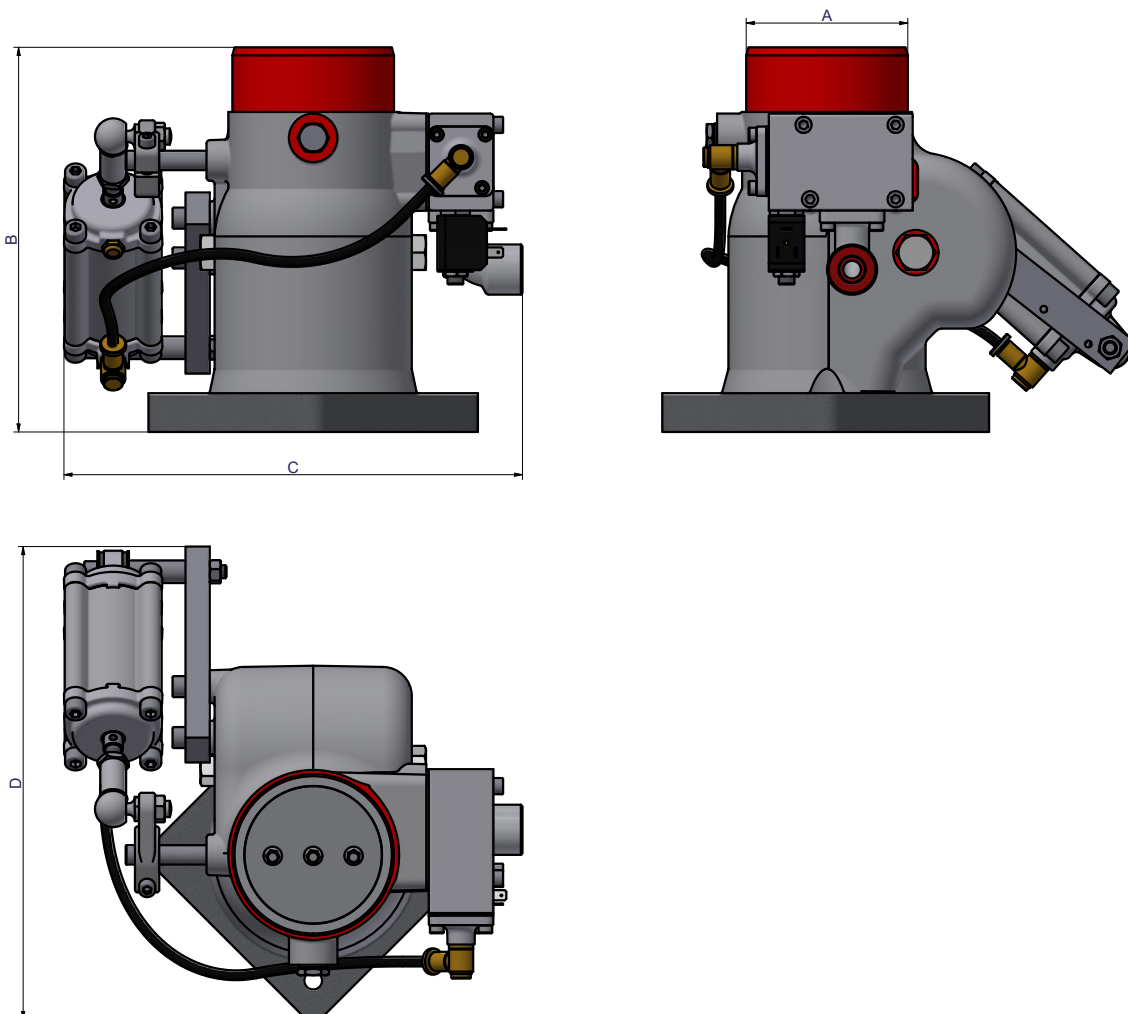
Refer figures below

Nominal diameter	mm	50	65	85	120	140	160	200
Filter diameter A	mm	60	85	100	150	160	201	230
	inch	2.4	3.3	3.9	5.9	6.3	7.9	9.0
Total height B	mm	149	153	238	308	229	381	435
	inch	5.9	6.0	9.4	12.1	9.0	15.0	17.1
Total width C	mm	222	250	284	341	343	379	435
	inch	8.7	9.8	11.2	13.4	13.5	14.9	17.1
Total depth D	mm	316	325	293	363	372	433	496
	inch	12.4	12.8	11.5	14.3	14.6	17.0	19.5

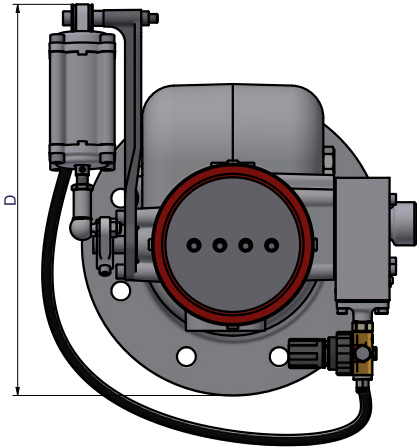
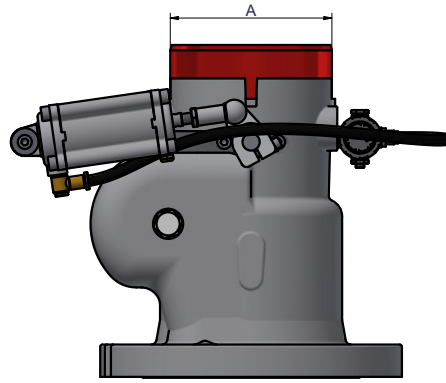
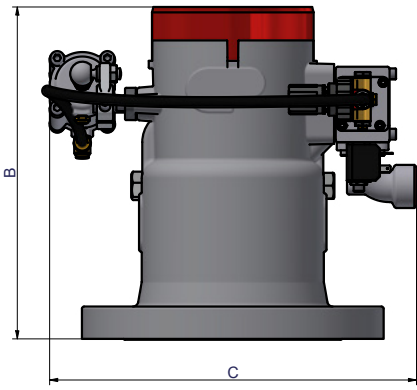
Note: Other flange sizes and bolt patterns upon request.

Figures

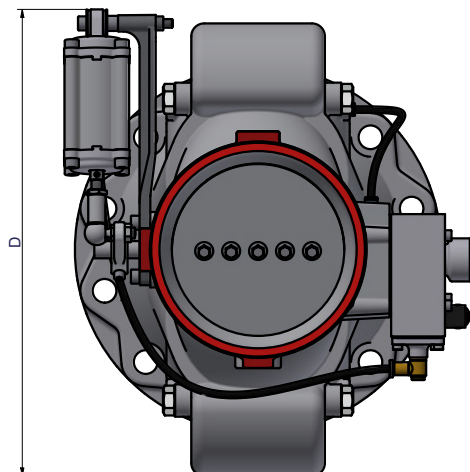
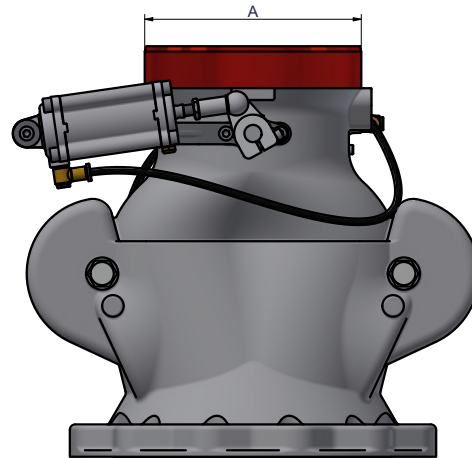
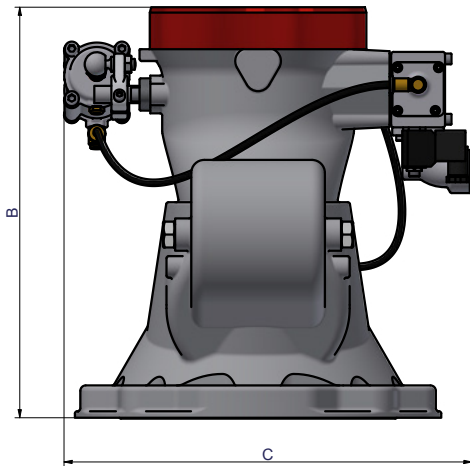
Nominal diameter 50 / 65 / 85



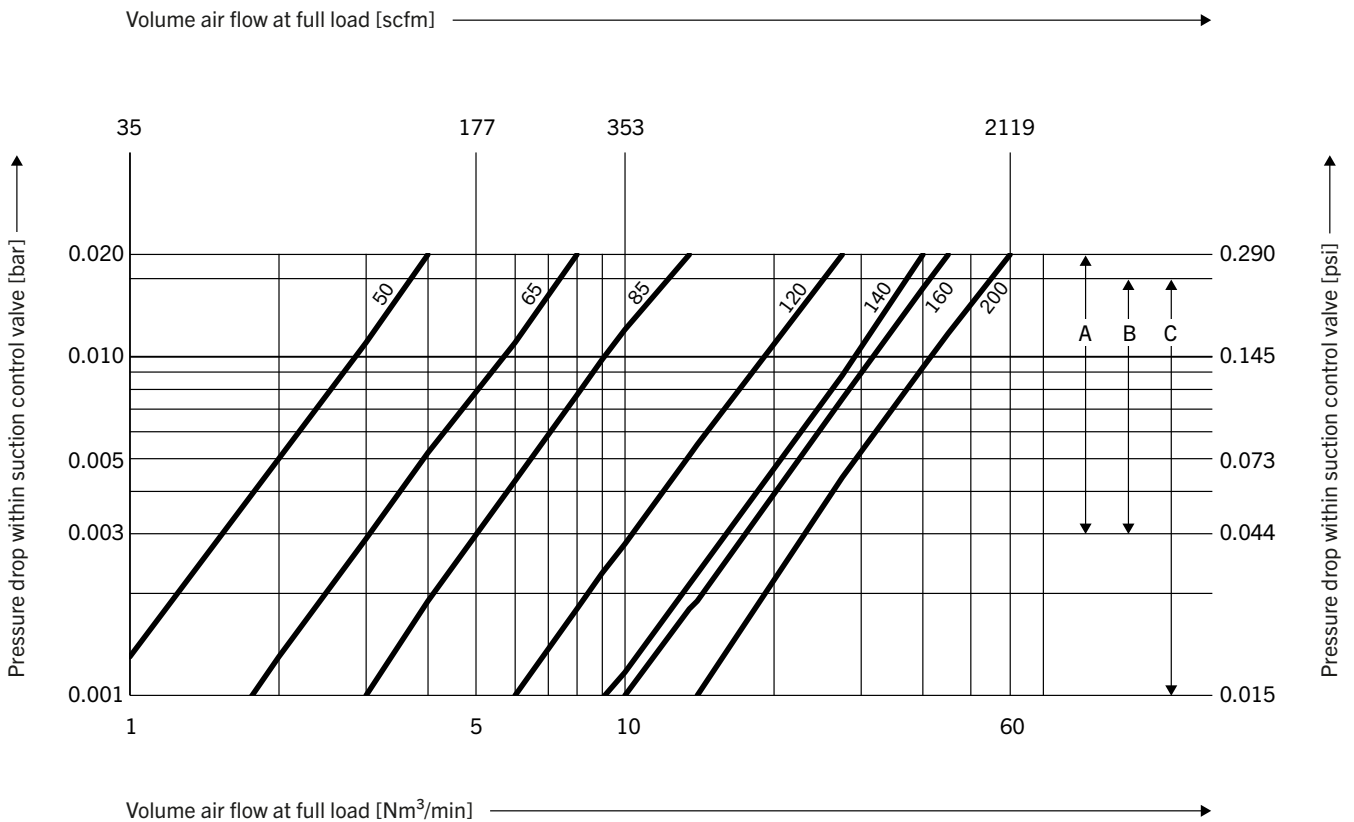
Nominal diameter 120 / 140



Nominal diameter 160 / 200



Pressure drop in dependence of volume air flow ²⁾



Pressure drop ΔP

	ΔP (bar)	ΔP (psi)
Range A	0.003 to 0.020	0.044 to 0.290
Range B	0.003 to 0.018	0.044 to 0.261
Range C	0.001 to 0.018	0.015 to 0.261

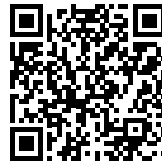
Recommended application

- Range A: Portable compressors with stepless capacity control from full load to idling
- Range B: Stationary compressors with stepless control from full load to minimum (approx. 70%), two point control at low air demand.
- Range C: Two point control, either full load or idling

2) The diagram shows the pressure drop ΔP within the suction control valve at full load, including the pressure loss caused by accelerating ambient air to intake velocity. Pressure drop caused by intake air filters and adjacent air lines are not included, since they are dependent on designs selected by the compressor manufacturer. The plotted values are calculated at 20°C (68°F) and suction pressure of 0.95 bara (13.77 psi) (absolute).



Scan for more information!



Contact us via email
air-industrial@hoerbiger.com

Locally close to the customers – globally successful: HOERBIGER is active worldwide in 43 countries on all continents. 5,948 employees at 127 locations – including 25 production plants – deliver reliable solutions for better performance, increased safety, and fewer emissions. In 2022, they generated sales of 1.267 billion euros. For renowned customers from the energy sector, the process industry, the automotive industry, the mechanical engineering industry, safety technology, and the electronics industry, performance-determining products and services from HOERBIGER make the difference. With innovations for decarbonization and energy transition, HOERBIGER is already enabling change today for a better tomorrow. As majority shareholder, the HOERBIGER Foundation preserves the 128-year-old entrepreneurial heritage and guarantees stability, independence, and a future-oriented strategy.

HOERBIGER.COM

All rights reserved. Subject to change without notice © Copyright HOERBIGER 2024

HOERBIGER can not grant any warranty for the correctness of technical or other data in catalogues, brochures and other printed material.

